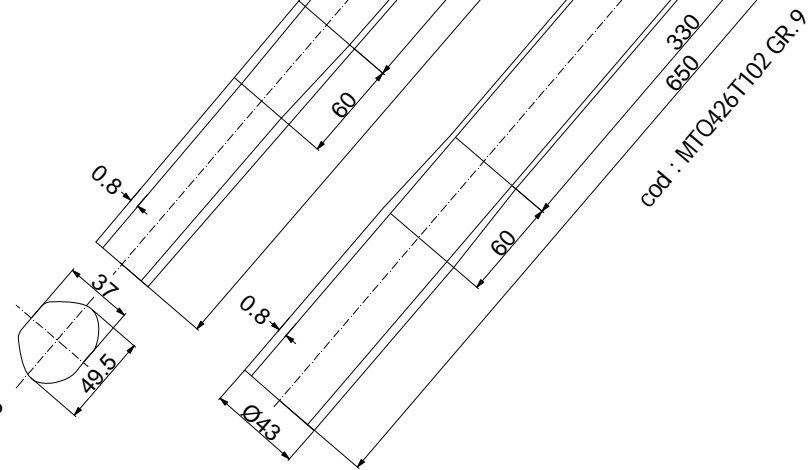
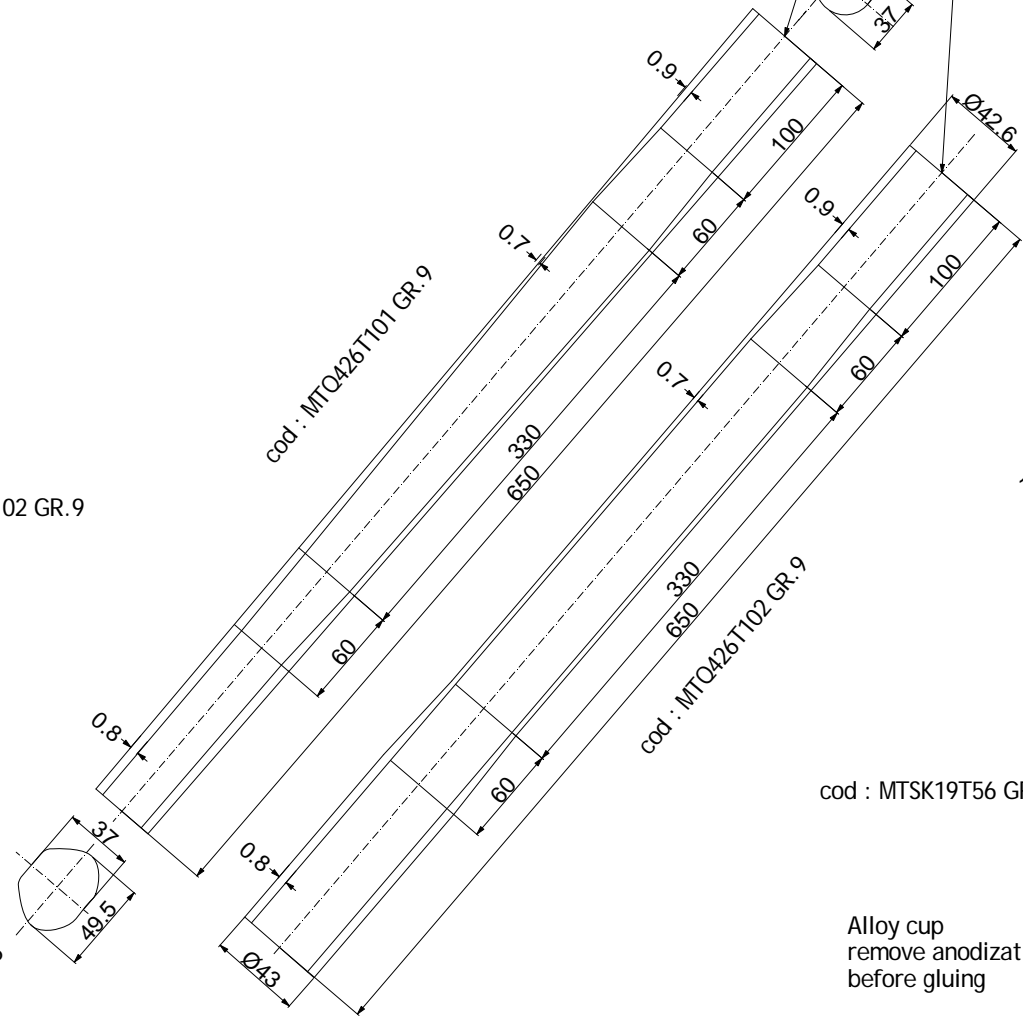
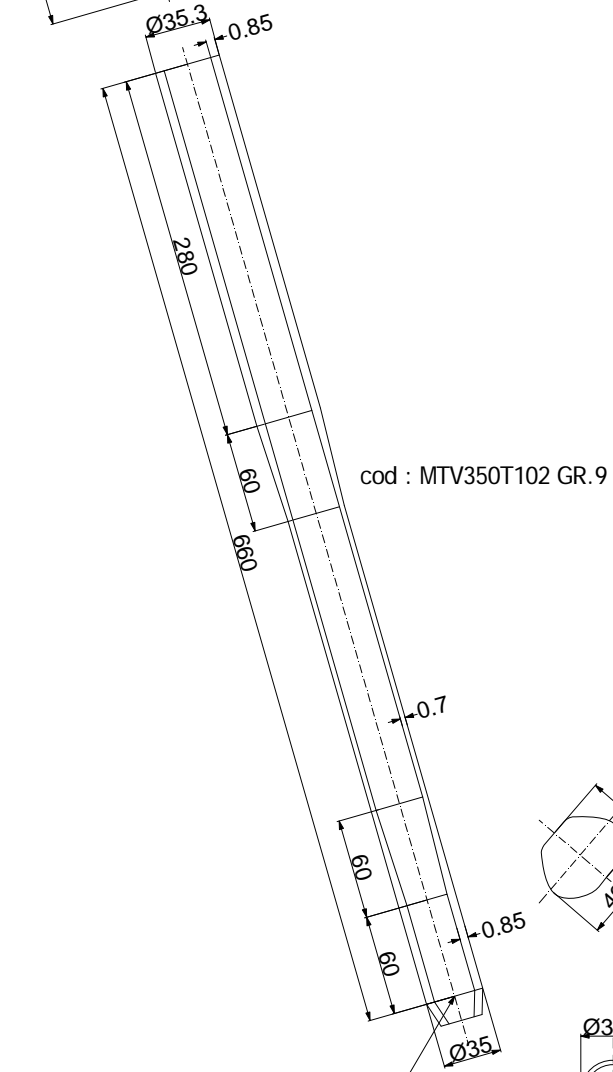
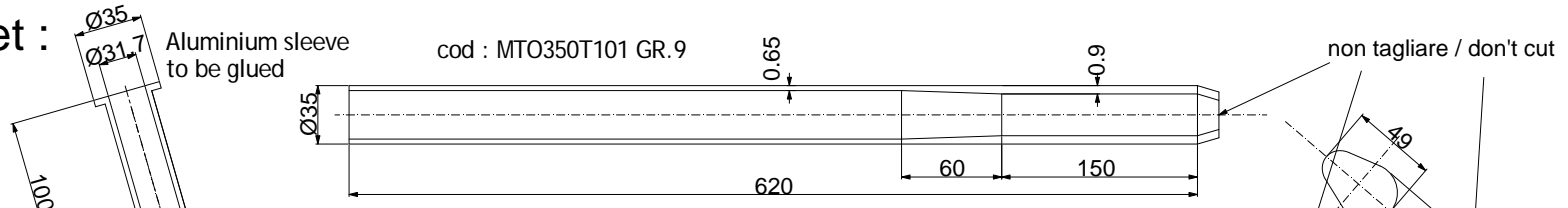


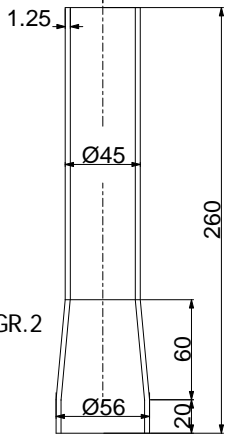
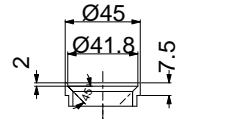
Serie / Tube set :

K-19

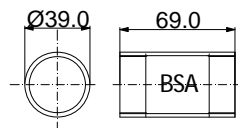
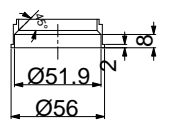
Rev. 2014



Alloy cup
remove anodization
before gluing



Alloy cup
remove anodization
before gluing

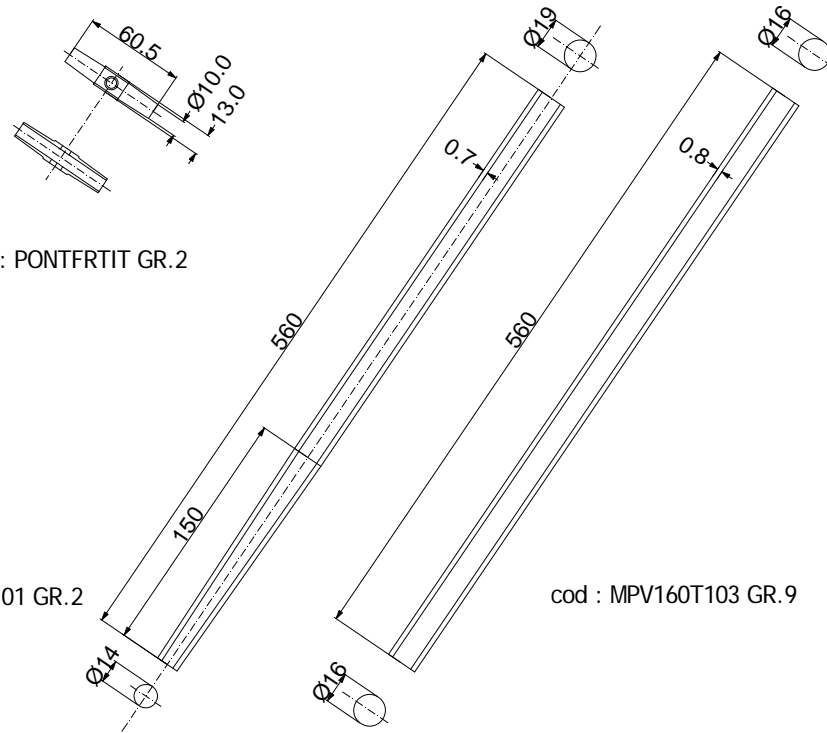


cod : MBS4008KZ GR.2

Serie / Tube set :

K-19

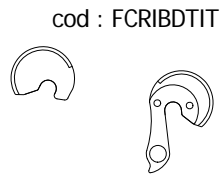
Rev. 2014



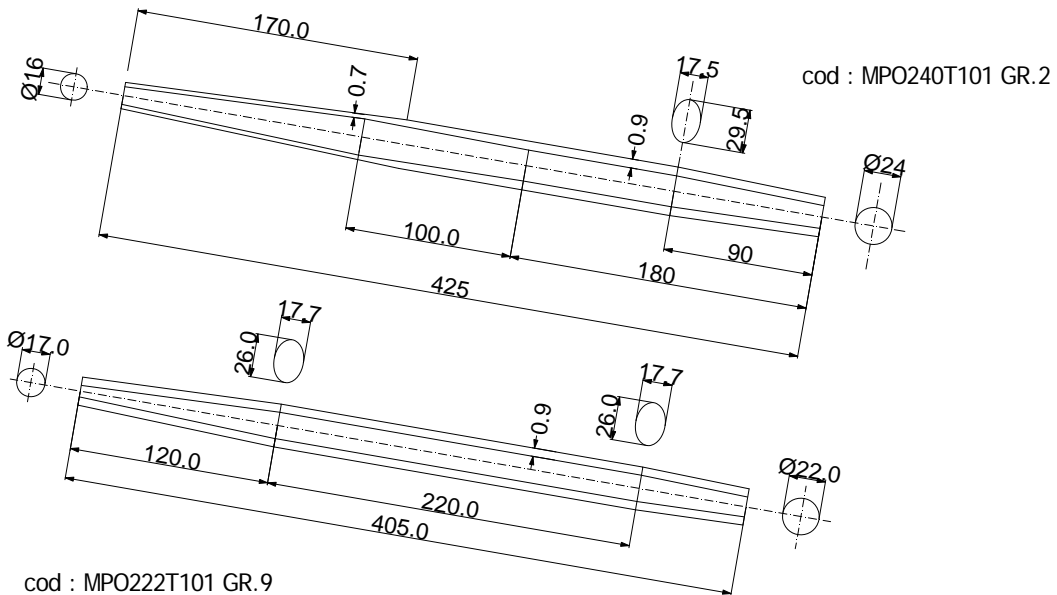
cod : PONTFRITIT GR.2

cod : MPV190T101 GR.2

cod : MPV160T103 GR.9



cod : FCRIBDTIT

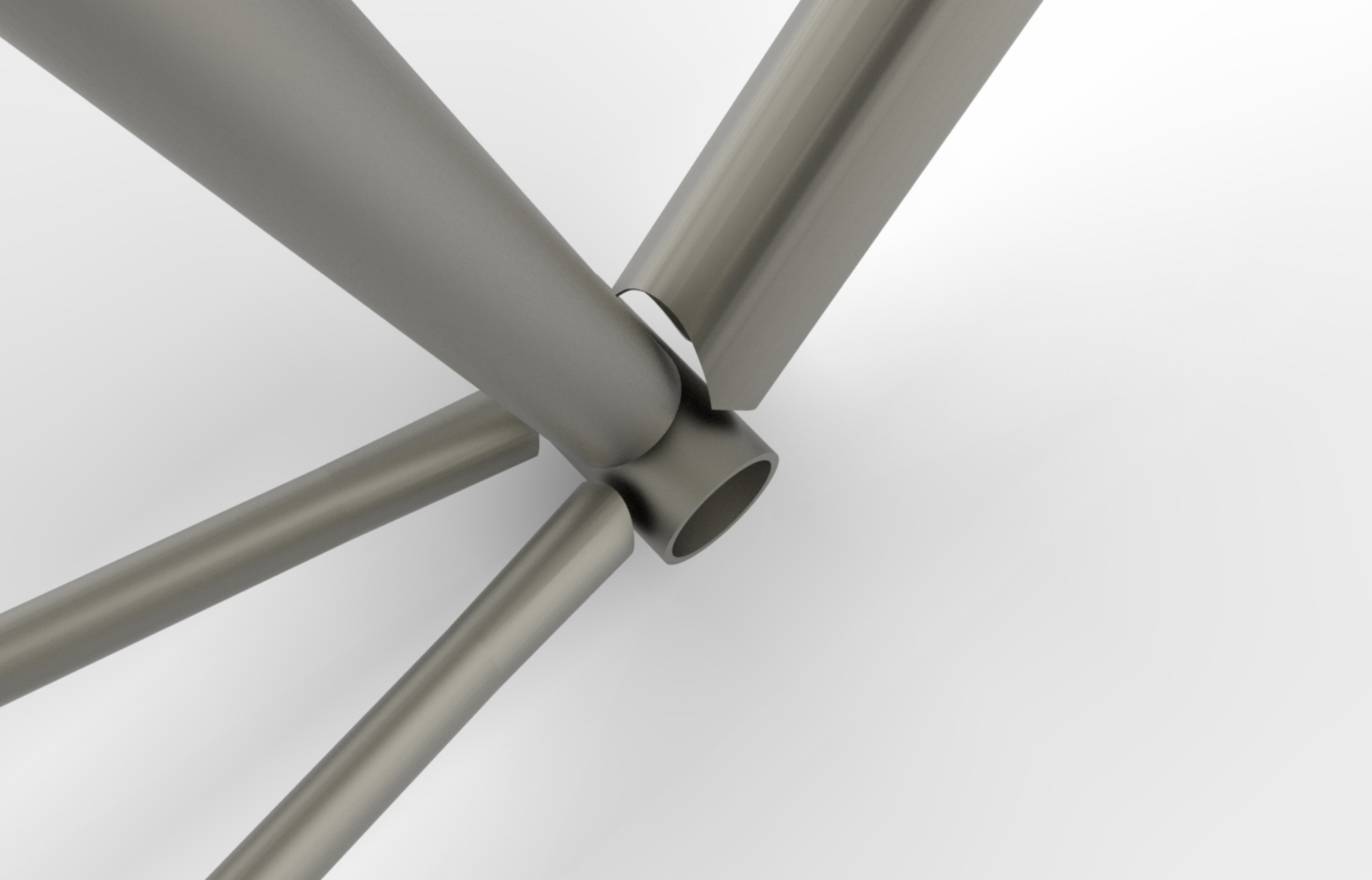


cod : MPO240T101 GR.2

cod : MPO222T101 GR.9







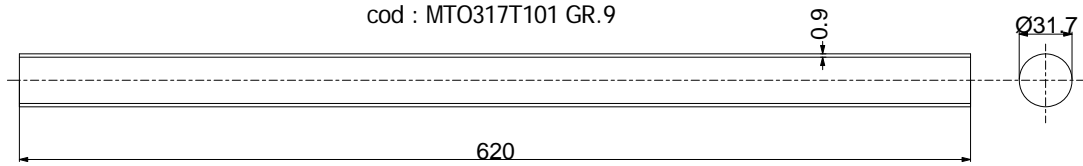
Serie / Tube set :

K-09

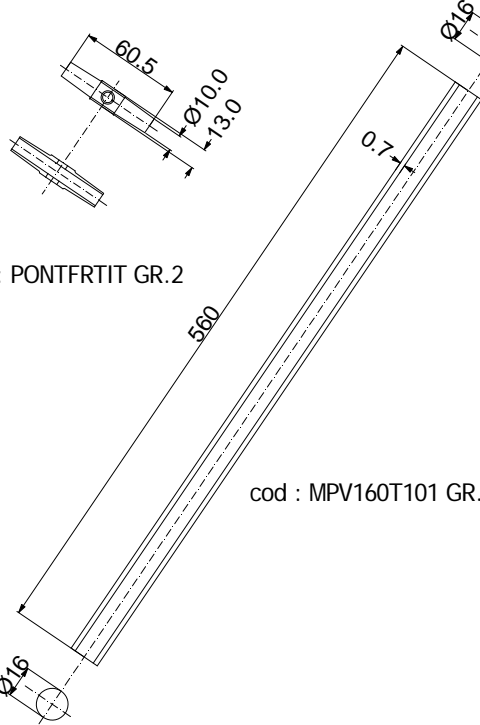
Rev. 2014

Aluminium sleeve
to be glued

cod : MTO317T101 GR.9

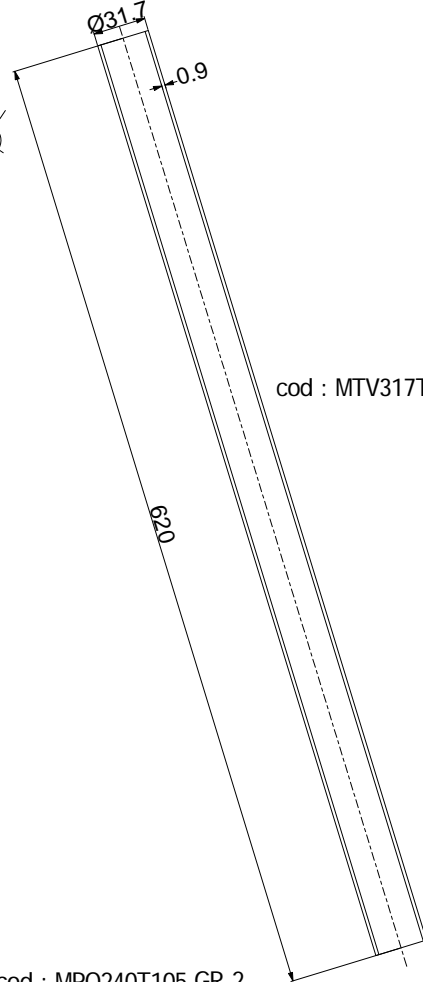


cod : PONTFRITIT GR.2

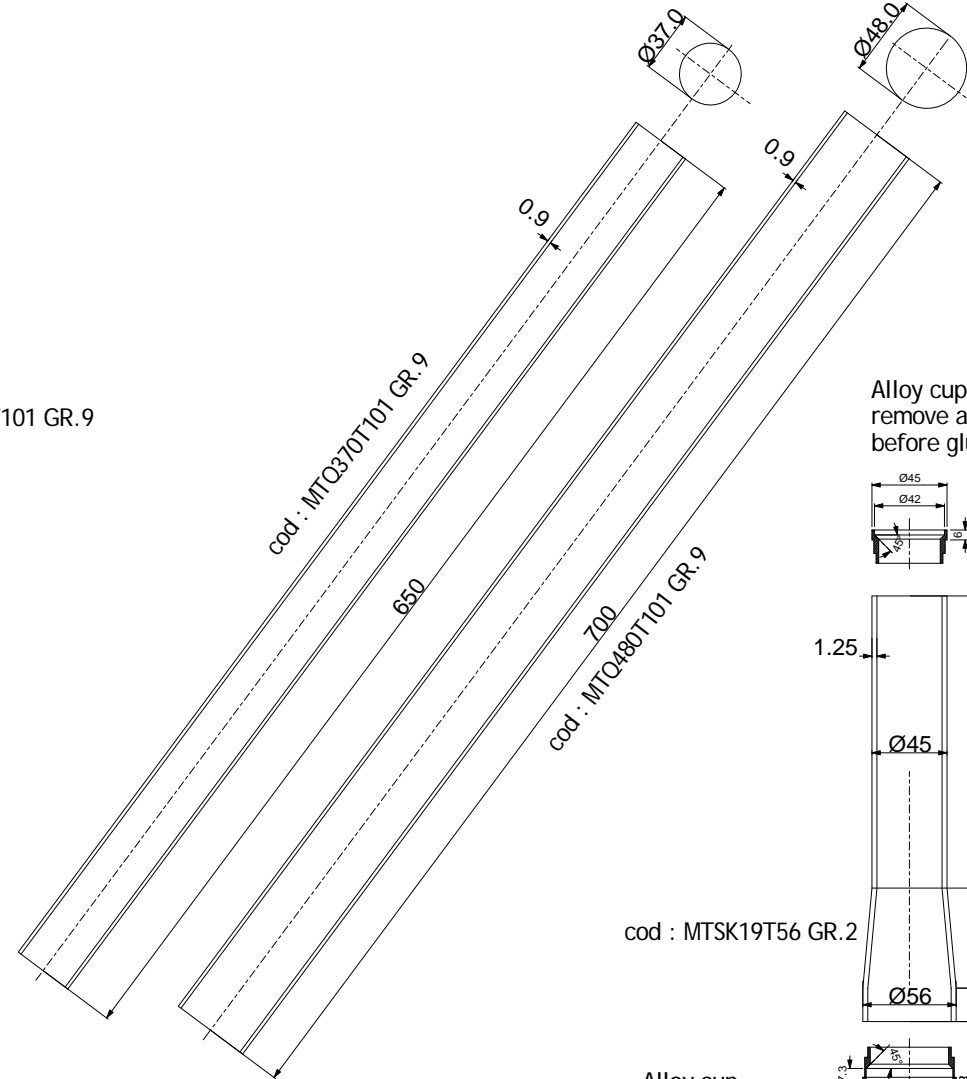


cod : MPV160T101 GR.2

cod : MTV317T101 GR.9

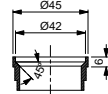


cod : MTO370T101 GR.9

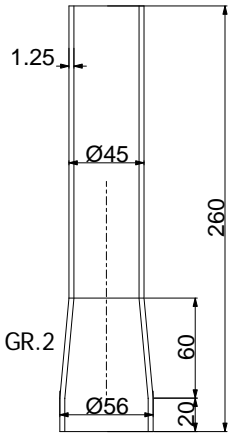


cod : MTO480T101 GR.9

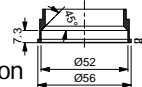
Alloy cup
remove anodization
before gluing



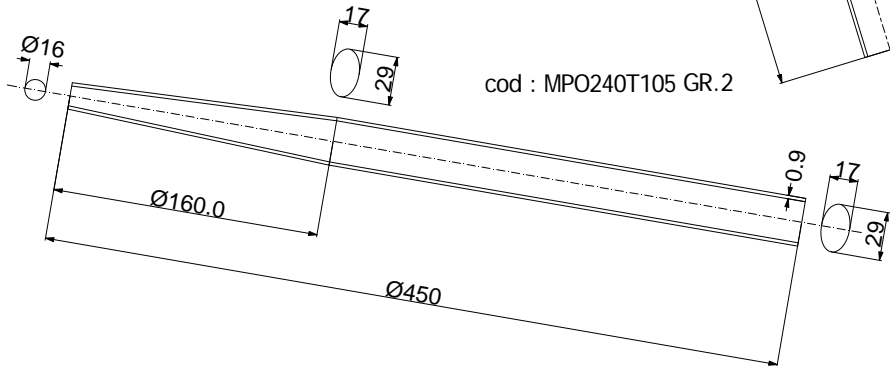
cod : MTSK19T56 GR.2



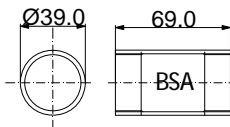
Alloy cup
remove anodization
before gluing



cod : FCRIBDTIT



cod : MPO240T105 GR.2



cod : MBS4008KZ GR.2

CWSR Seamless titanium tubing
ROAD use only





